

# Respiratory protection mask

## FFP2 NR - Vertical fold

### TexiShield® CE 0082

Personal protective equipment Cat. III  
EN 149:2001 + A1:2009



## ADVANTAGES

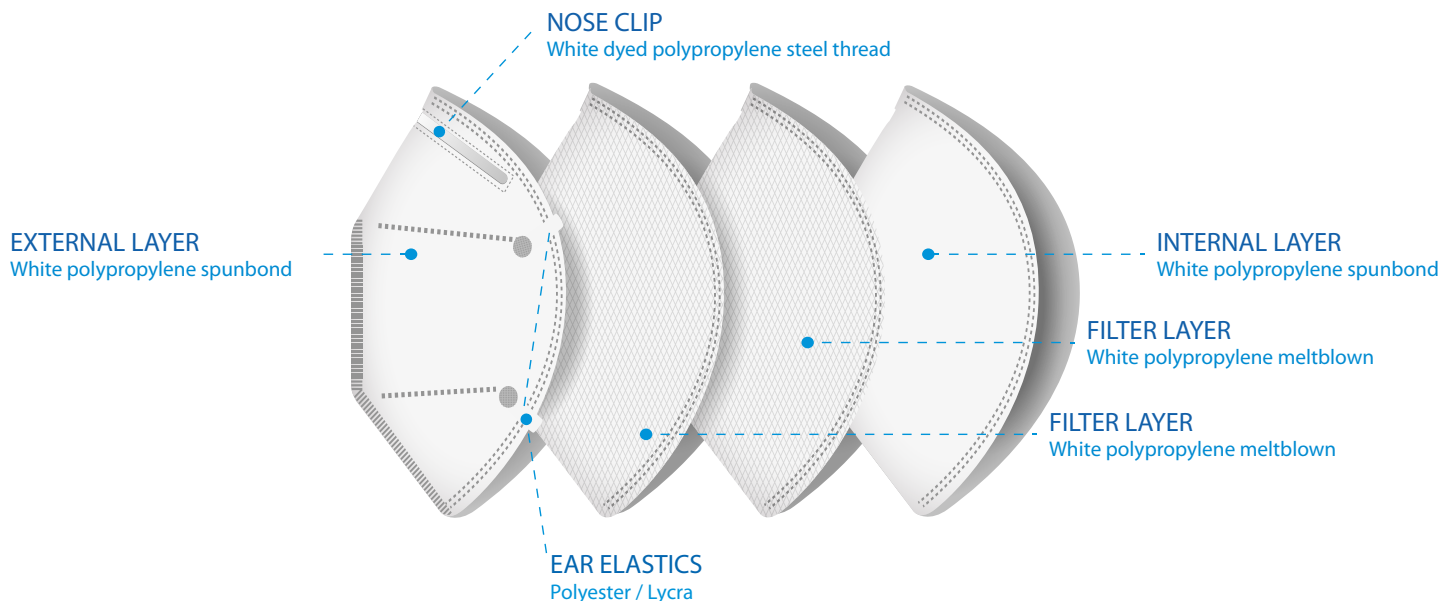
- ✧ **Respiratory protection** | Filtering half masks against solid and liquid particles
- ✧ **Comfort & fit** | Behind-the-ear clip
- ✧ **Light & soft** | Optimal materials and design for continuous use of up to 8 hours
- ✧ **Made in France** | Located in Auvergne-Rhône-Alpes

## SPECIFICATIONS

Brand: TexiShield® F2-V01  
Use: Single use, non sterile  
Color: White  
Wearing duration: 8 hours maximum

Expiry date: 2 years from date of manufacture  
Country of origin: France  
Quantity per case: 20 masks

## GRAPHENE & LATEX-FREE 4-LAYER MASK



## CERTIFICATIONS

- ✧ Complies with the **requirements of Regulation (EU) 2016/425 on personal protective equipment (PPE)** and the applicable standard **EN 149:2001 + A1:2009**
- ✧ Manufactured under an **ISO 9001:2015** and **ISO 13485:2016** certified quality management system (QMS)

## STANDARD REQUIREMENTS

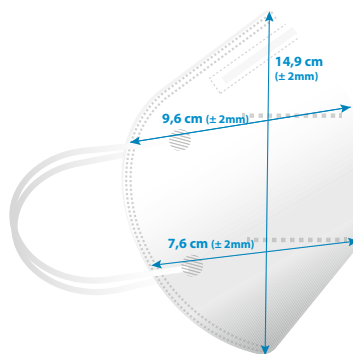
### EN 149:2001+A1:2009

Tests	Requirement	Results
Paraffin oil penetration (liquid particles)	< 6 % lors de l'exposition 120 mg	✓ <b>Compliant</b>
NaCl penetration (solid particles)	< 6 % lors de l'exposition 120 mg	✓ <b>Compliant</b>
Carbon dioxide (CO2) content	≤ 1 %	✓ <b>Compliant</b>
Breathe resistance		
inhalation 30 l/min	≤ 0,7 mbar	✓ <b>Compliant</b>
inhalation 95 l/min	≤ 2,4 mbar	✓ <b>Compliant</b>
exhalation 160 l/min	≤ 3,0 mbar	✓ <b>Compliant</b>
Flammability	Must not burn or continue to burn for more than more than 5 seconds after removing the flame	✓ <b>Compliant</b>
Total leakage inside the unit	≤ 11 % for at least 46 / 50 results ≤ 8% for at least 8 / 10 results	✓ <b>Compliant</b>
Dolomite dust DRB 4/15 (D)	Inhalation and exhalation respiratory resistances ≤ 4.0 mbar at a continuous flow rate of 95 l/min	<b>N/A</b>

## PACKAGING

REFERENCE	PACKAGING Box 30 x 38 x 28 cm	WEIGHT	DIMENSION (pallet of cm)
F2-V01 <b>20 masks per case</b>	12 cases of 20 masks / box (240 masks) 56 boxes / pallet	Mask : 4.32 g Case of 20 : 144.40 g Box : 2.10 kg	L80 x P120 x H210

### Dimension



## STORAGE & PRECAUTIONS

- Store according to packaging recommendations (**between 5 and 40°C and below 85% humidity**).
- The product expires **2 years after the date of manufacture**.
- Follow instructions for use.**
- Recommended continuous wearing time: 8 hours max.

## PACKAGING MARKING

Manufacturer	Batch number	Product reference	End of storage date	Protect from light and sunlight	Maximum relative moisture of storage conditions	
Temperature range of storage conditions	Latex free	For single use	Instructions and sorting box for recycling	Recyclable box	Read instructions for use	

